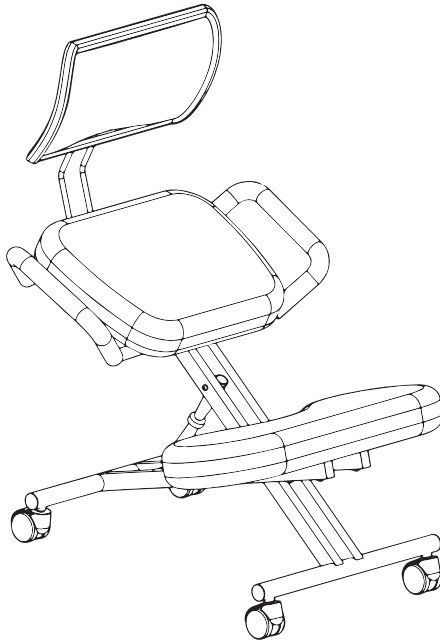


# DRAGONN

---

## Black Kneeling Chair with Back Support

Instruction Manual



**SKU: DN-CH-K02B**



Scan the QR code with your mobile device or follow the link for helpful videos and specifications related to this product.

<https://vivo-us.com/collections/chairs/products/dn-ch-k02b>

---

GET IN TOUCH | Monday-Friday from 7:00am-7:00pm CST



help@idragonn.com



www.idragonn.com  
*Chat live with an agent!*



309-278-5303

# **WARNING!**

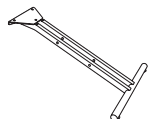
If you do not understand these directions, or if you have any doubts about the safety of the installation, please call a qualified technician. Check carefully to make sure there are no missing or defective parts. Improper installation may cause damage or serious injury. Use this product on a stable, level surface. Do not use this product for any purpose that is not explicitly specified in this manual. Do not exceed weight capacity. Do not stand on this product. We cannot be liable for damage or injury caused by improper mounting, incorrect assembly, or inappropriate use.

## **WARNING: CHOKING HAZARD**

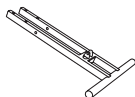
SMALL PARTS - NOT FOR CHILDREN UNDER 3 YEARS. ADULT SUPERVISION IS REQUIRED.

## **WARNING:** THIS PRODUCT CAN RESTRICT CIRCULATION TO LEGS WITH PROLONGED USE.

### PACKAGE CONTENTS



**A (x1)**  
Upper Frame



**B (x1)**  
Lower Frame



**C (x1)**  
Adjustable



**D (x1)**  
Seat Pad



**E (x1)**  
Knee Pad



**F (x4)**  
Caster



**G (x2)**  
Grip Handle



**H (x1)**  
Back Rest Support



**I (x1)**  
Back Rest Hinge



**J (x1)**  
Back Rest



**S-A (x1)**  
Long Sleeve Nut



**S-B (x1)**  
Medium Sleeve Nut



**S-C (x1)**  
Short Sleeve Nut



**S-D (x6)**  
M6x12



**S-E (x6)**  
M6x20 Screw



**S-F (x4)**  
M6x40



**S-G (x8)**  
M6x20



**S-H (x2)**  
M6x25



**T-A (x2)**  
5mm Allen Wrench



**T-B (x1)**  
Wrench

### TOOLS NEEDED



**Drill**



**Phillips Screwdriver**

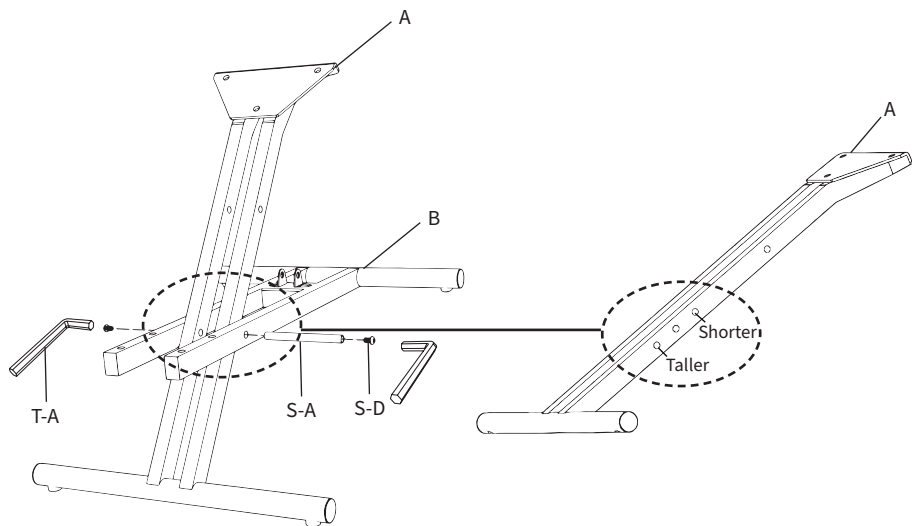
**DO NOT EXCEED WEIGHT CAPACITY.**  
Failure to do so may result in serious injury.



# ASSEMBLY STEPS

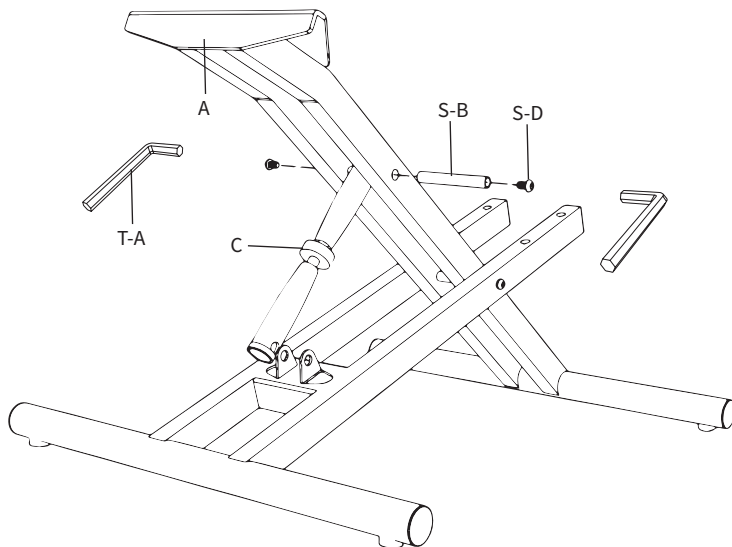
## STEP 1

Insert Upper Frame (A) into Lower Frame (B) and align front holes to one of three positions, depending on the user's height. Assemble frames using the Long Sleeve Nut (S-A) with M6x12 Screws (S-D) and tighten using 5mm Allen Wrenches (T-A).



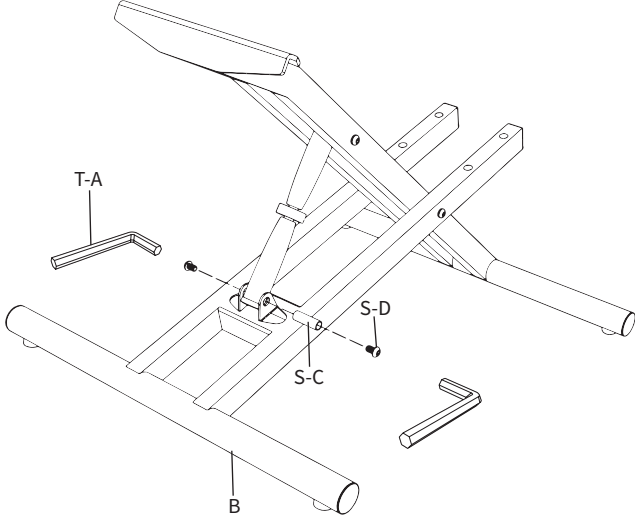
## STEP 2

Assemble Adjustable Support (C) to rear of Upper Frame (A) using Medium Sleeve Nut (S-B) with M6x12 Screws (S-D) and tighten using 5mm Allen Wrenches (T-A).



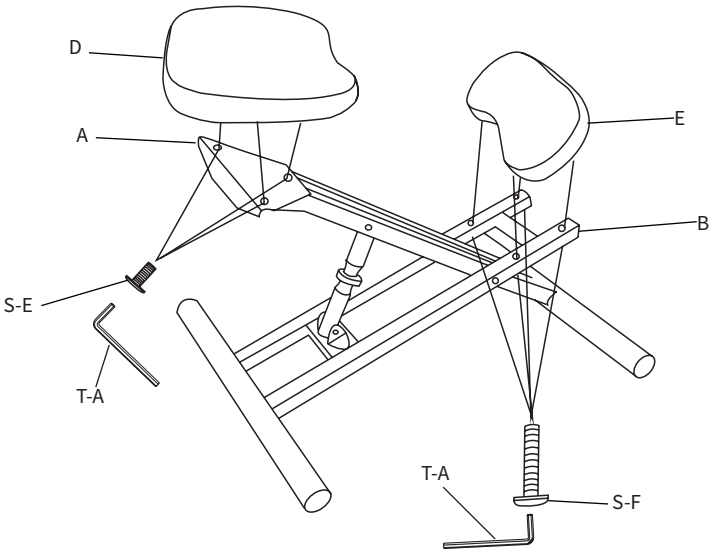
**STEP 3**

Connect Adjustable Support (C) to rear of Lower Frame (B) using Short Sleeve Nut (S-C) with M6x12 Screws (S-D) and tighten using 5mm Allen Wrenches (T-A).



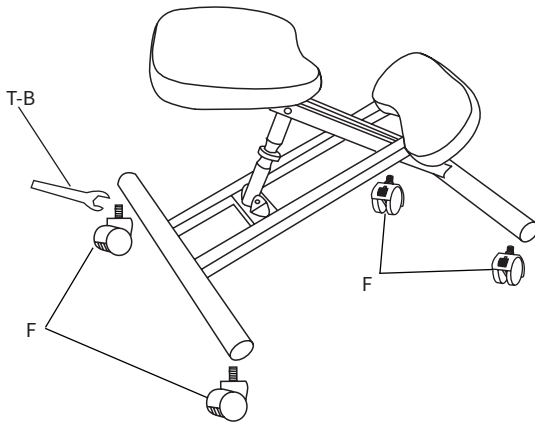
**STEP 4**

Assemble Seat Pad (D) to rear of Upper Frame (A) using M6x20 Screws (S-E), and Knee Pad (E) to front of Lower Frame (B) using M6x40 Screws (S-F). Tighten all screws with 5mm Allen Wrench (T-A).



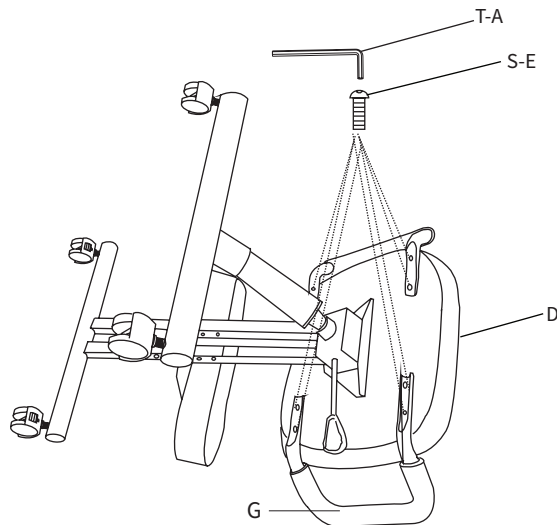
## STEP 5

Install Casters (**F**) into holes on underside of the frames using Wrench (**T-B**).



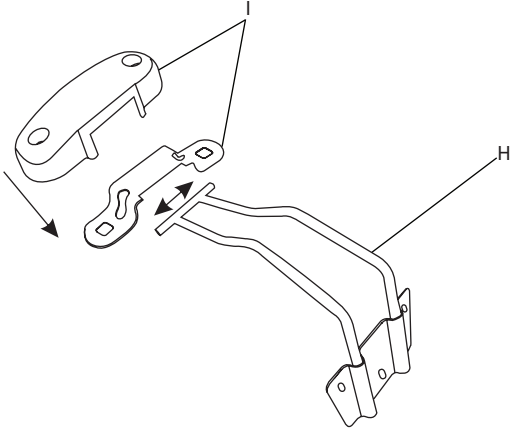
## STEP 6

Assemble Grip Handles (**G**) to Seat Pad (**D**) using M6x20 Screws (**S-E**). Tighten screws with 5mm Allen Wrench (**T-A**).



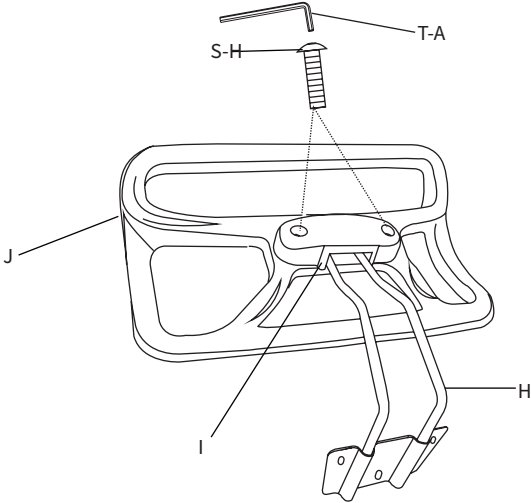
**STEP 7**

Insert end of Back Rest Support (**H**) into slots in Back Rest Hinge (**I**), then place cover on the hinge.



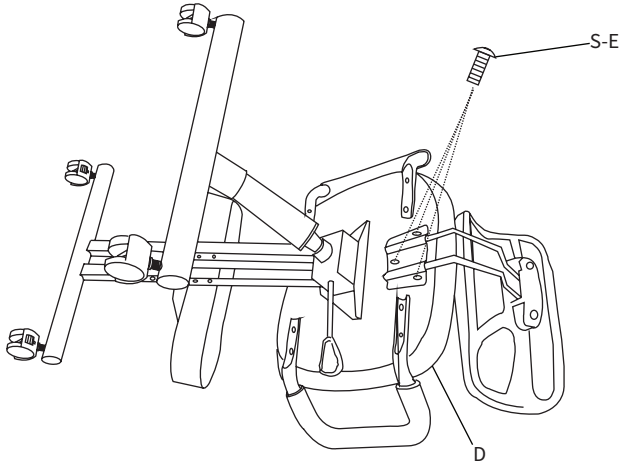
**STEP 8**

Secure Back Rest Support (**H**) with Back Rest Hinge (**I**) to Back Rest (**J**) using M6x25 Screws (**S-H**). Tighten screws with 5mm Allen Wrench (**T-A**).



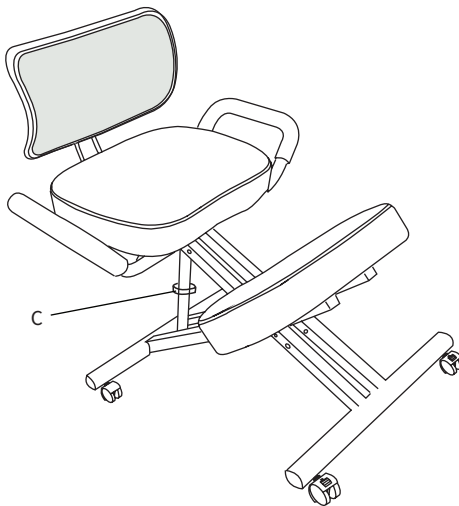
## STEP 9

Attach Back Rest assembly to seat pad (**D**) using M6x20 Screws (**S-E**). Tighten screws with 5mm Allen wrench (**T-A**).



## STEP 10

Adjust seat height and angle by turning the knob on the Adjustable Support (**C**).





Love your new Dragonn setup and want to share?

Tag us in your photo! **@dragonnbrands**

LAST UPDATED:10/27/2021

REV2.1



Open **Monday - Friday 7:00am - 7:00pm** CST,  
our dedicated support team can offer immediate assistance with rapid response times. If any parts are received damaged or defective, please contact us. We are happy to replace parts to ensure you have a fully functioning product.



[help@idragonn.com](mailto:help@idragonn.com)



[www.idragonn.com](http://www.idragonn.com)

*Chat live with an agent!*



309-278-5303

FOR MORE DRAGONN PRODUCTS, CHECK OUT OUR WEBSITE AT: [www.idragonn.com](http://www.idragonn.com)